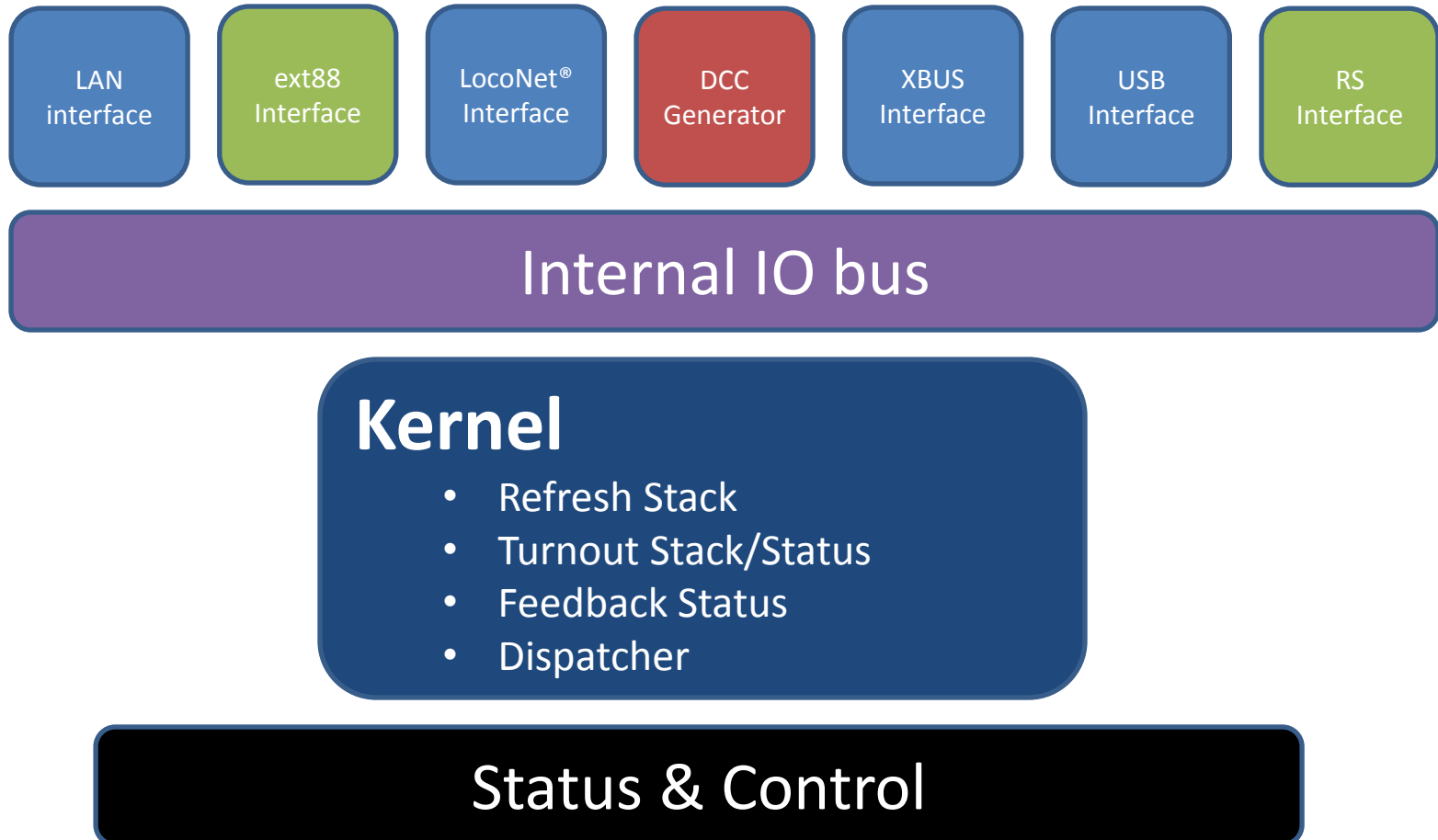
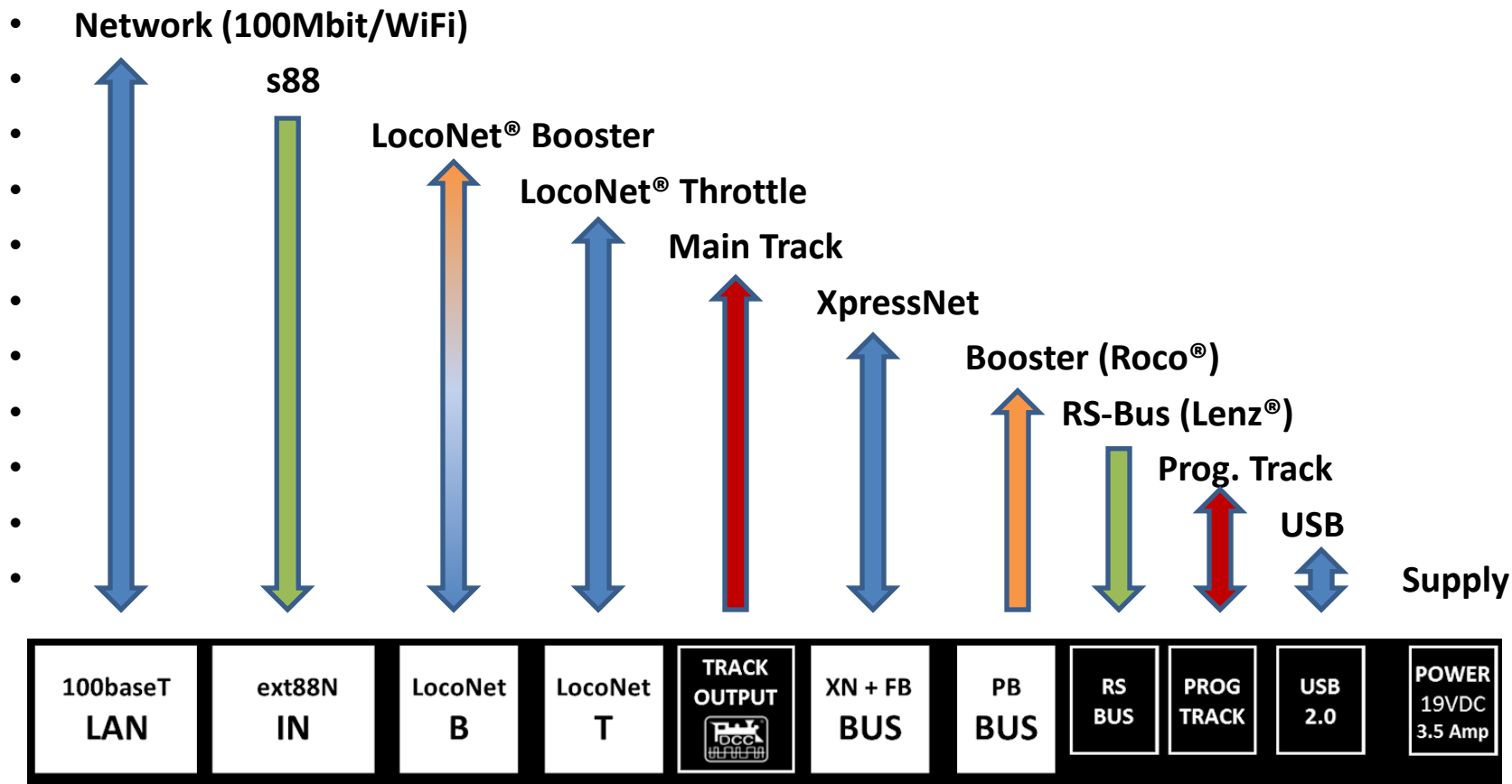


How the DR5000 works



MultiBus Command Station

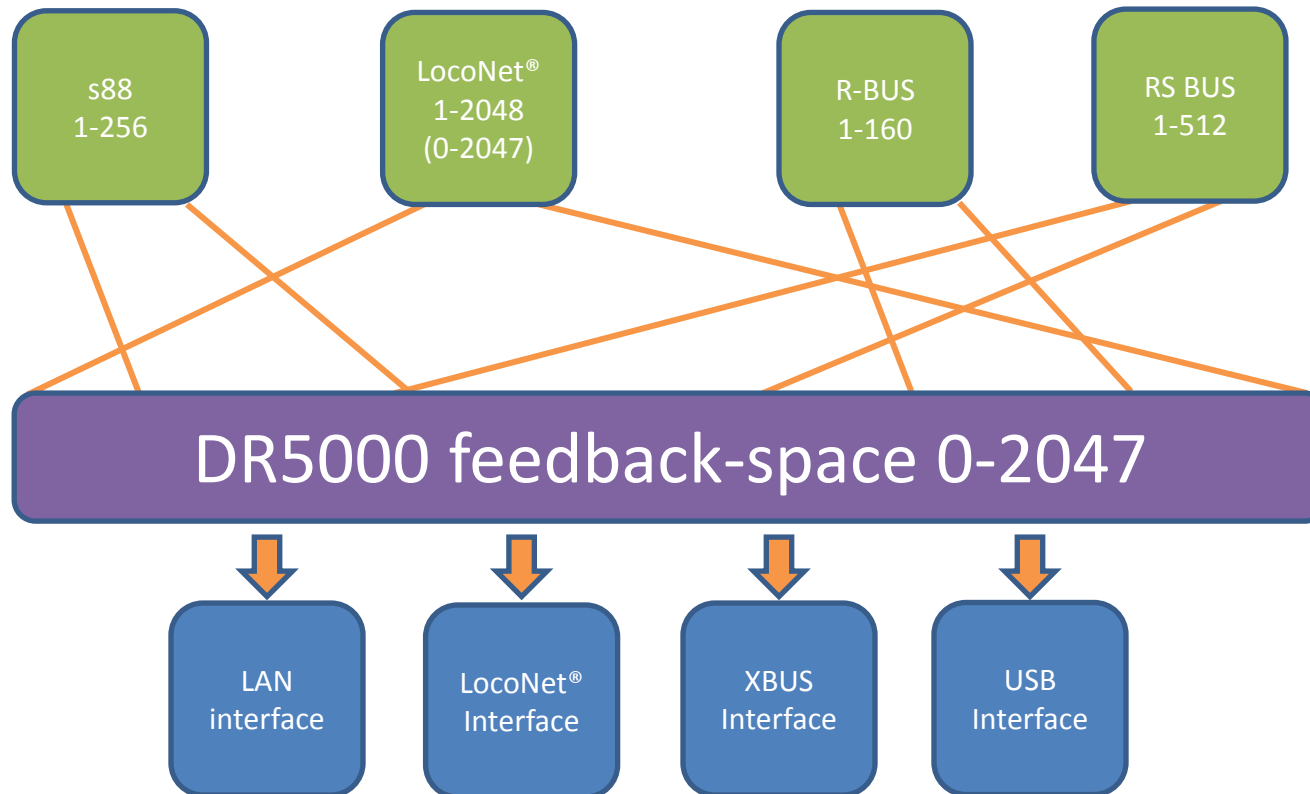
Connections



DR5000

MultiBus Command Station

Addresses of each physical interface can be mapped to internal feedback space



Note: LocoNet addressing and range are module dependant, other busses are mapped by DR5000 Config